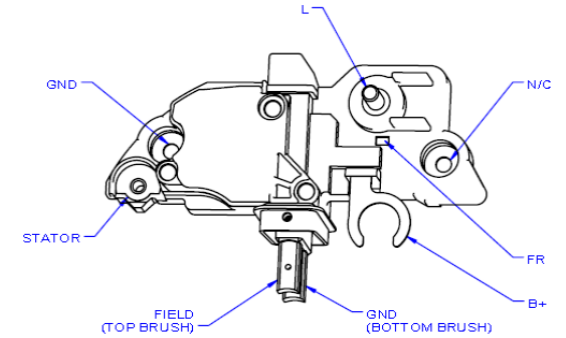


1. Requirement:

Tester Terminal	E	B+	S	IG	D+	F	L	P	C	RVC	DA	FR
Product Terminal	E	B+	-	-	-	F	L	P	-	-	-	FR

2. Voltage and Tolerance:

Symbols	Voltage	Tolerance (\pm)	Note
B+	14.5V	0.20V	



3. Barcode:

RA01020]4008035#RA01020	
※ Rocker switch to LED		

